



## ■ 概述 Summary

HH15(QSA) 系列隔离开关熔断器组主要用于有高短路电流的配电电路和电动机电路中，作为手动频繁操作的开关、隔离开关和应急开关，并作电路保护之用。开关可直接开闭电动机等高电感负载，特别适用于抽屉式开关柜成套装置中使用。

本系列开关由刀型静触头、滚动动触头及灭弧装置组成的接触系统均组装在由耐弧工程塑料制成的封闭底座内，能达到零飞弧。操作机构由具有弹簧储能的连杆传动机构构成，靠弹簧力完成开关的分、合，使开关动作无关人力操作。手柄由操作手柄和传动轴等构成，属旋转操作方式。当手柄旋转操作时，使操作机构弹簧储能，靠储能的弹簧力释放带动动触头与静触头形成合、分两种状态，从而达到开关分合主电路的目的。

本开关的上部可装一个或二个辅助开关，每个辅助开关有一对电器上分开的常开触头和常闭触头，能使控制回路明确指示开关主电路的通断情况。

当开关处于断开位置时，其外露导电部件均不带电，确保维修和更换熔断体的安全性。

*Series HH15 (QSA) Switch-disconnector-fuse integrates the functions of load switch and fuse short-circuit protection. It is mainly applied in distribution of high short-circuits and motor circuits as the power switches and emergency switches. It is especially suitable for installation and application in draw type cabinets. This series switches are of closed structure design. The contact system is composed of static knife contacts, moving rolling contacts and arc quenching sets that are all fitted in the sealed case made of arc resistant engineering plastic and zero arc flash out is achieved. The switching mechanism is of reliable spring energy stored independent manual operation style. On the upper part of the switch utmost two auxiliary switches may be quipped in, each having a set of electrical separated normal open and normal closed contacts.*



## ■ 型号及其含义 Model denomination



辅助开关：“0”—不带辅助开关 “1”—带1个辅助开关 “2”—带2个辅助开关  
Auxiliary switch: “0” — without auxiliary switch “1”— with one auxiliary switch “2”— with two auxiliary switches

极数：“3” — 3极 “3N” — 带固定连接中性极的3极开关  
Pole number “3”— 3-pole switch “3N”— 3-pole switch with a fixed neutral connection bar  
“4” — 带可通断中性极的4极开关  
“4”— 4-pole-switch with a switchable neutral pole

约定发热电流  
Conventional thermal current

产品系列型号：HH15(QSA)  
Type: HH15(QSA)



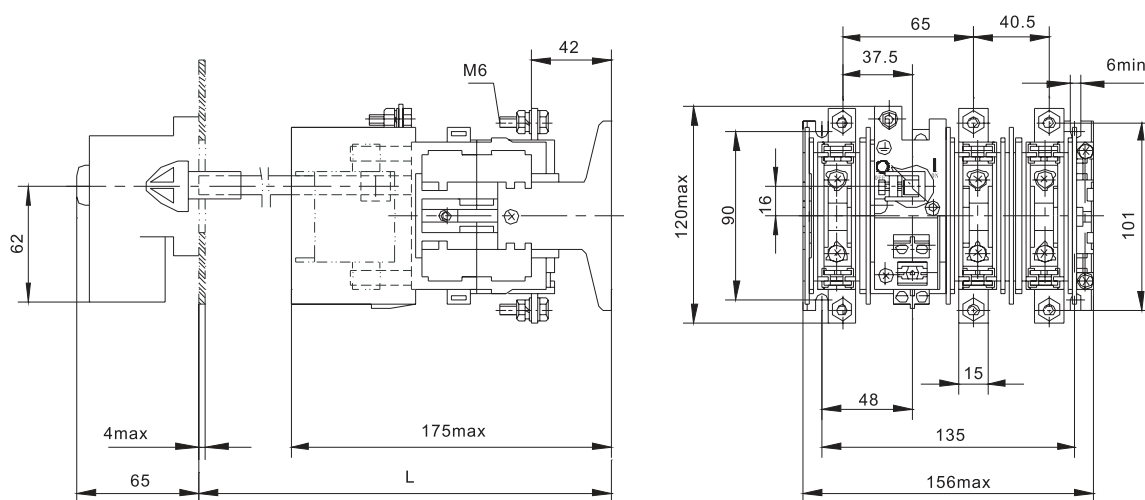
## ■ 主要技术指标 Technical data

规格		63	100	125	160	200	250	400	630	800	1000	1250	
主电路极数		3P、3P+N、4P											
额定绝缘电压 $U_i$ V		690										1000	
额定工作电压 $U_e$ V		400										400、690	
约定自由空气发热电流 $I_{th}$ A		63	100	125	160	200	250	400	630	800	1000	1250	
额定工作电流 $I_e$ A AC-23B		63	100	125	160	200	250	400	630	800	1000	1250	
额定限制短路电流 $I_q$ kA		400V			80			100			100		100
		690V			—			—			—		50
操作性能		空载 次		1700			1400			800		800	
		有载 次		300			200			200		200	
辅助开关 A		380V AC-15		5			6			6			
配用刀型熔断体		应符合GB/T13539.6 IEC60269-2											
		标准		RT20-000、00			RT20-1、2		RT20-2		RT20-3		RT20-4
		本公司尺码		RT20-000、00			RT20-1、2		RT20-2		RT20-3		RT20-4
最大额定电流A		63	100	125	160	200	250	400	630	800	1000	1250	

当开关用于电动机电路中，允许熔断体额定电流大于开关的额定工作电流，但连续负载电流应不超过开关的额定工作电流  
Rated current of the fuse-link may be greater than that of the switch when used in motor circuits whereas the continuous load current is not exceeded.

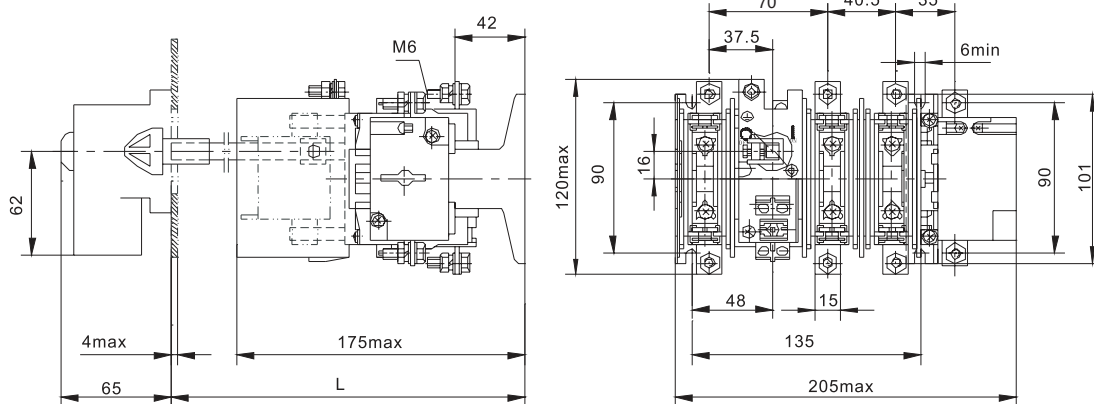
## ■ 外形及安装尺寸 Overall dimensions

HH15-63、100、125/3

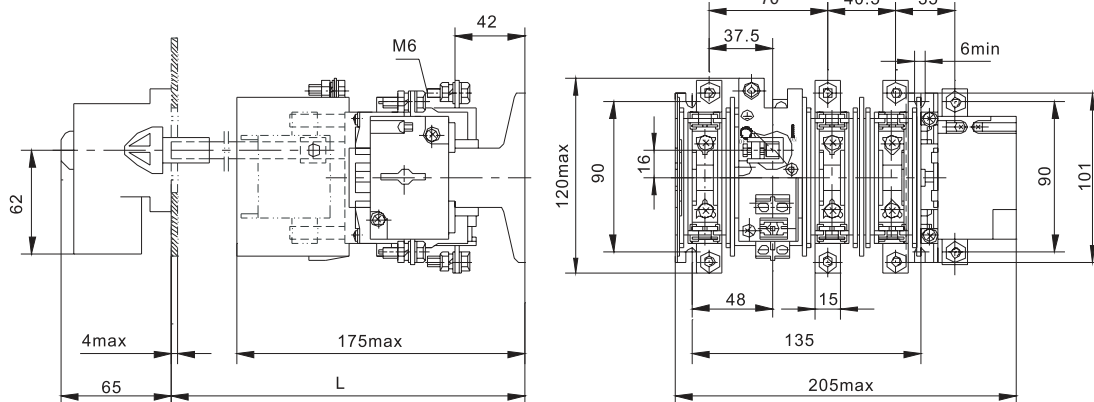




**HH15-63,100,125/3N**



**HH15-63,100,125/4**

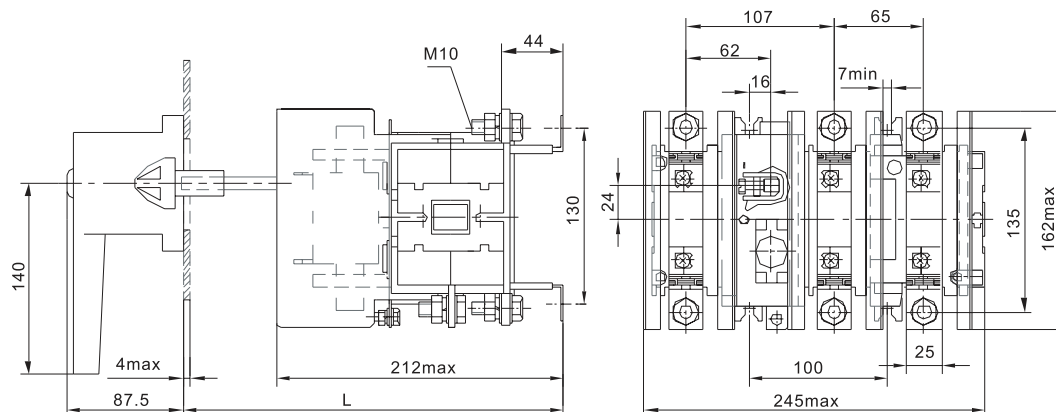


型号 Type	L		
HH15-63、100、125	166-225	250-310	325-385

注：有三档不同长度操作轴可选择，以满足用户不同安装深度的需要，用户于订货时未指明的，按中档尺寸供货。

Note: There Lenghts of operating shaft are available Customer should declare his need in orders.

**HH15-200,250,400/3**

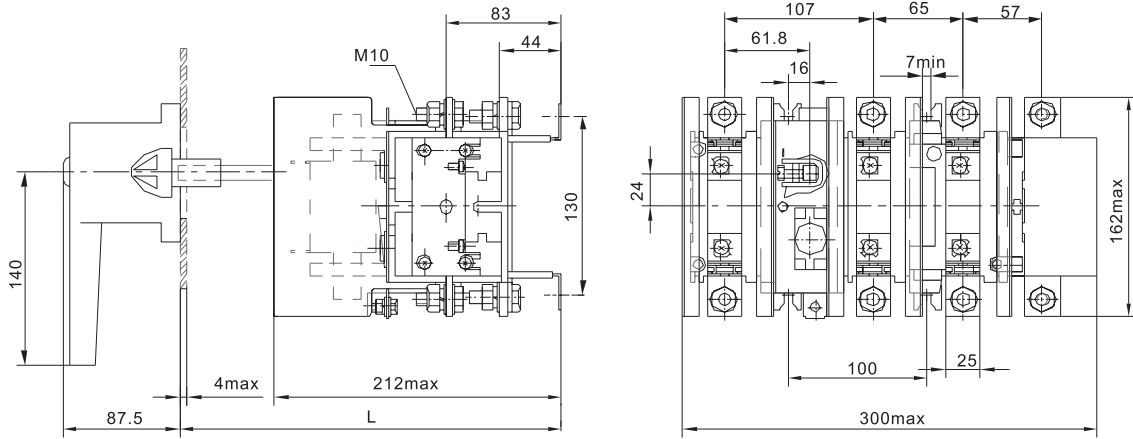




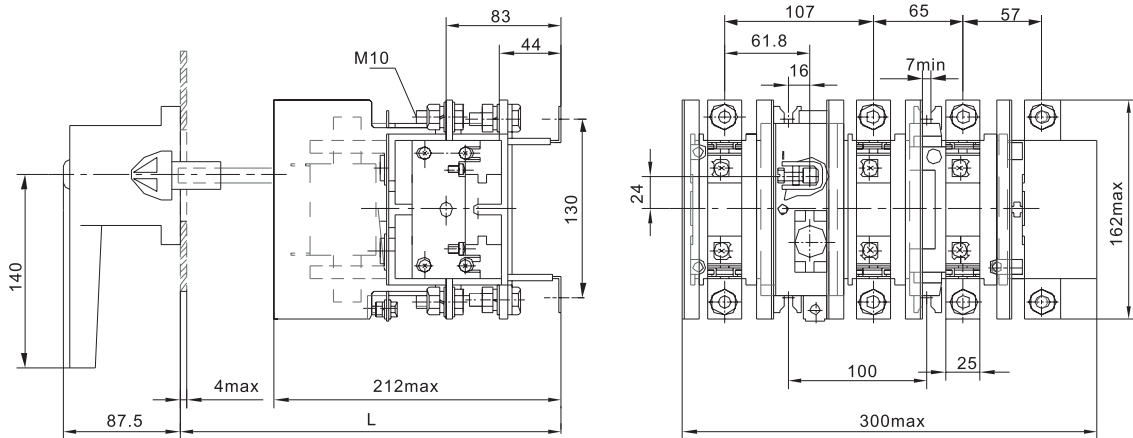
# HH15 隔离开关熔断器组

HH 15 Switch-disconnector-fuse

## HH15-200,250,400/3N



## HH15-200,250,400/4

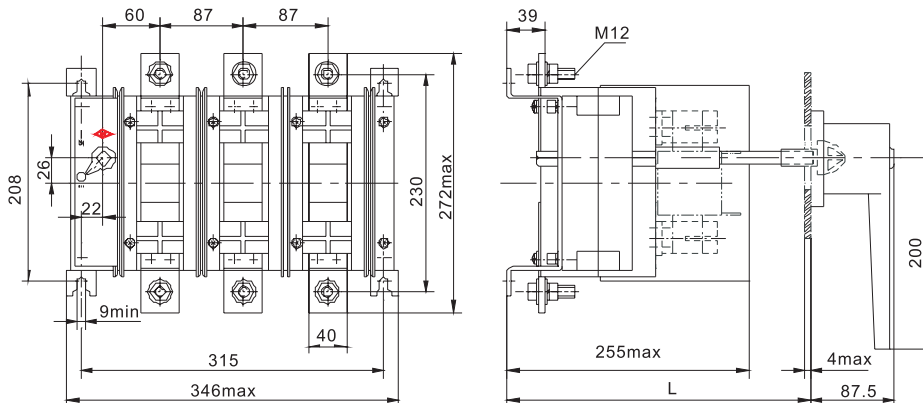


型号 Type	L		
HH15-200			
HH15-250	220-270	270-320	340-390
HH15-400			

注：有三档不同长度操作轴可选择，以满足用户不同安装深度的需要，用户于订货时未指明的，按中档尺寸供货。

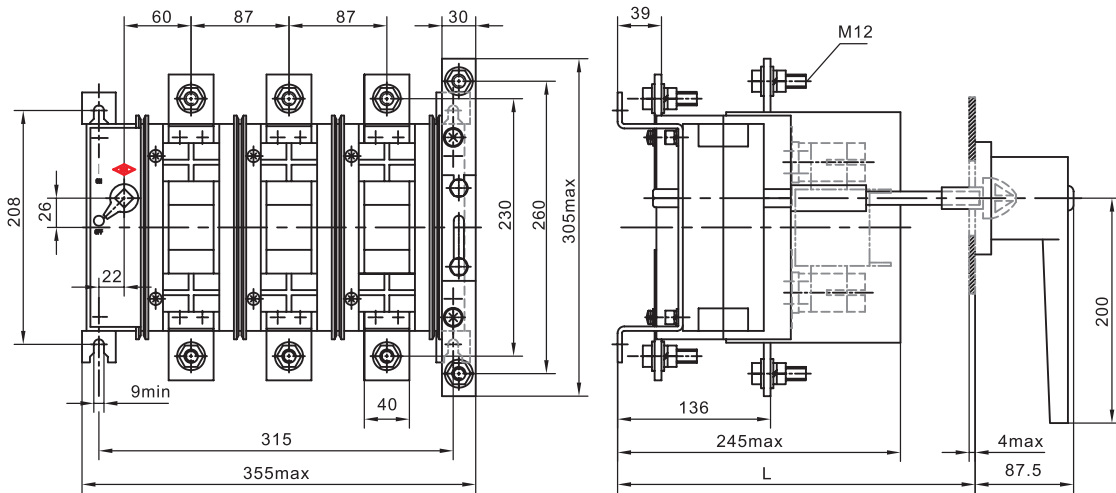
Note: There Lengths of operating shaft are available Customer should declare his need in ordes.

## HH15-630,800/3

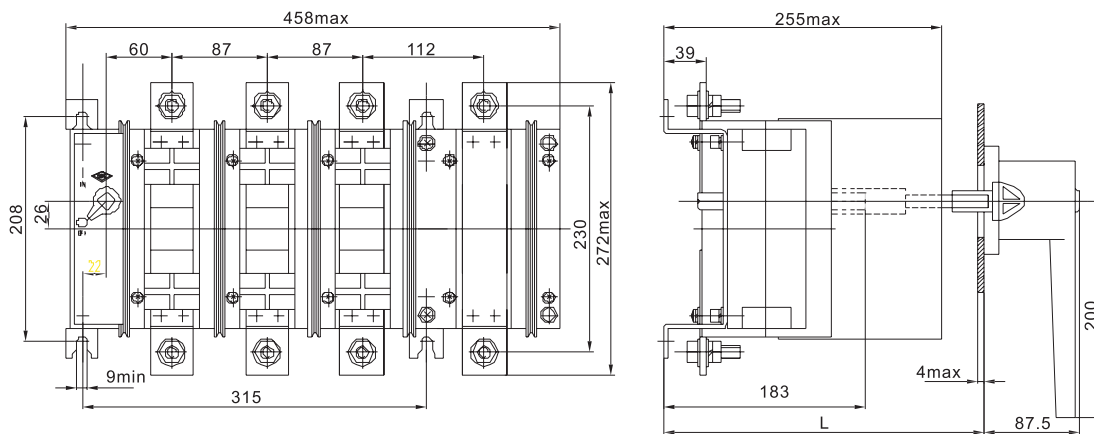




HH15-630,800/3N



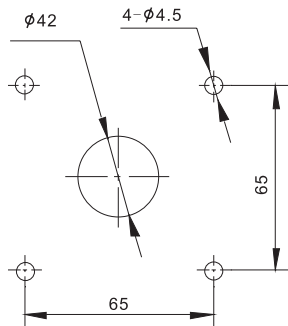
HH15-630、800/4



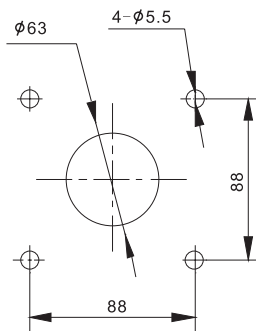
型号 Type	L		
HH15-630	260-275	300-375	330-345
HH15-800			

注: 有三档不同长度操作轴可选择, 以满足用户不同安装深度的需要, 用户于订货时未指明的, 按中档尺寸供货。  
Note: There Lenghts of operating shaft are available Customer should declare his need in ordes.

■ 面板手柄安装开孔尺寸 Panel apetures for the hangle

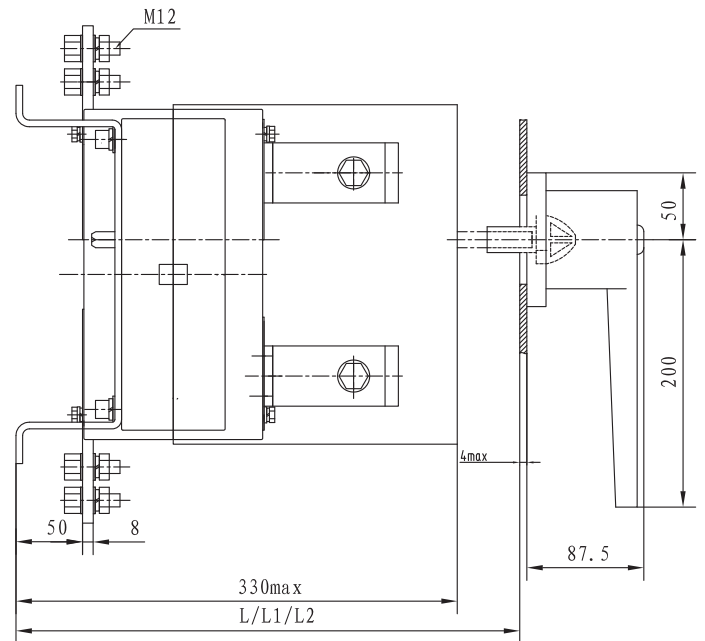
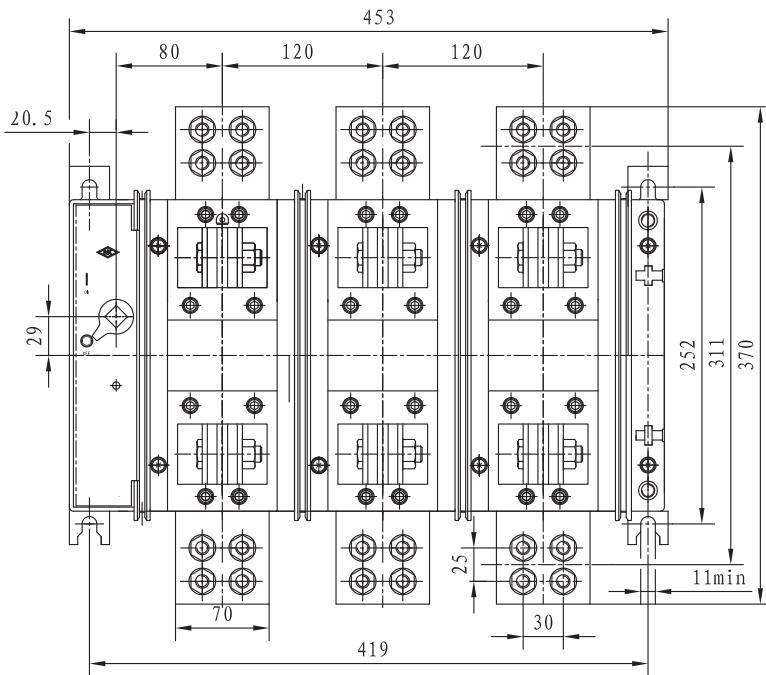


适用于 ( For ) HH15-63~125



适用于 ( For ) HH15-160~1250

# HH15-1000、1250/3



型号 Type	L1	L2	L3
HH15-1000/3	395 ~ 430	495 ~ 530	560 ~ 595
HH15-1250/3	395 ~ 430	495 ~ 530	560 ~ 595

注：有三档不同长度的操作轴可选择，以满足用户安装深度的需要；用户订货时未指明的，按中档尺寸供货。

Note: There lengths of operating shart are available Customer should declare his need in ordes.